



**Electric motors**

# **3ODP Series**

---

Powerful, efficient and flexible...

**Technical catalogue**



# Technical characteristics for 3ODP series

Protection class	IP 23 (60034-5)
Shell material	cast iron
Frame number range	H250 - 355
Efficiency	IE3
Power range	450 - 710 KW
Insulation class	F class
Working system	S1
Ambient temperature	-15~+40°C
Altitude	below 1000 meters
Direction of rotation	Clockwise(View from shaft extension end)
Location of terminal box	On the right hand(Viewing from shaft extension end)
Load moment of inertia	If needed
Resistance curve of load	If needed

- In indoor places without dust, IP23 motors can be used to reduce the size of the motor and reduce the procurement cost;
- Specific winding design can support multiple voltages (50 Hz or 60 Hz);
- Thermal components such as PTC or PT100 can be selected for thermal protection of winding or bearings;
- Standard installation structure form 60034-7.



# Quality management and certificates



VYBO Electric is a modern High-tech energy saving company that pays high attention to quality, environment, safety and precision and efficiency of work and energy in production. Therefore, it holds a lot of certificates and quality control systems. **Our priority is quality control.**

## Basic certificates include:

### ISO9001

The primary task of the ISO 9001 standard is to focus on system management and quality management in the organization. The satisfaction of the customer and the fulfillment of his requirements, which are specified in contracts, orders, or technical drawings, are in the first place. The quality management system is linked to all processes in the company. The standard focuses on the management of human and financial resources, on the stability of infrastructure, including buildings, transport, hardware, software and other communication or information technologies. An important part is also the planning of production and services, the management of the purchasing process, but also the management of non-conforming products.



### ISO14001

The main priority of the ISO 14001 standard is to identify and understand the environmental aspects and activities that are related to the entire infrastructure of the company and, based on this, to regulate the environmental impact on the environment.

In its scope, the ISO 14001 standard creates the conditions for determining environmental goals and plans, the fulfillment of which is examined at regular intervals by top management and also by an independent body during internal audits.

This standard is intended for all organizations and companies that consider environmental protection as their primary goal.

The benefit of the standard for society is mainly:

- control over the environmental impact on the environment
- control over produced emissions and waste
- saving material and energy
- prevention of accidents
- compliance of the company's activities with legal requirements
- zero fines for environmental behavior
- creation of a good reputation and prestige of the company



## The ISO 45001

Specification (formerly known as OHSAS 18001) is an internationally recognized standard that declares compliance with the principles of a safe enterprise, managing risks at work and protecting the health of workers during work. It does not only concern danger and accidents, but also emphasizes other aspects such as the good condition and mental well-being of the employee.

The certificate is held in Slovakia as STN ISO 45001:2019 and is under the title Management systems of safety and health protection at work. Requirements with guidance for use. It replaces the STN OHSAS 18001 standard.



## ISO50001

Energy management systems Energy efficiency help organizations save money, save energy resources and also help to prevent climate change. ISO 50001 encourages organizations in all sectors to use energy more efficiently through the development of an energy management system. The international standard ISO 50001: 2011 specifies the requirements for building, maintaining and improving the energy system. It aims to enable organizations to implement a systematic approach that will help achieve lasting improvements in energy efficiency, energy use and consumption.



# Technical data 3ODP

Motor type	Rated Power	Current	Rated Speed	Efficiency	Power Factor	Locked Current	Locked Torque	Maximum Torque	Moment of inertia	Approx WT
	KW	A	r/min	$\eta$	$\cos \Phi$	Rated current	Rated Torque	Rated Torque	(J) Kg-m <sup>2</sup>	Kg
3ODP-250S0-02P	90	151,9	2960	95	0,9	7,1	2	2,3	0,67	557
3ODP-250M0-02P	110	185,3	2965	95,2	0,9	7,1	2	2,3	0,77	593
3ODP-250S0-04P	75	129,5	1475	95	0,88	6,9	2	2,2	1,33	574
3ODP-250M0-04P	90	153,3	1475	95,2	0,9	6,9	2	2,2	1,52	601
3ODP-250S0-06P	45	82,5	985	93,7	0,84	7,2	2	2	0,894	523
3ODP-250M0-06P	55	100,4	985	94,1	0,8	7,3	2	2	0,954	540
3ODP-280M0-02P	132	227	2965	95,4	0,88	7,2	2	2,2	0,893	775
3ODP-280S0-04P	110	191,3	1475	95,4	0,87	7	2	2,2	3,212	810
3ODP-280M0-04P	132	229,1	1470	95,6	0,87	7	2	2,2	3,822	817
3ODP-280S0-06P	75	137,9	985	94,6	0,83	6,7	2	2	1,853	750
3ODP-280M0-06P	90	164,9	985	94,9	0,83	6,7	2	2	2,285	720
3ODP-315S0-02P	160	271,4	2970	95,6	0,89	7,2	2	2,2	1,751	1042
3ODP-315M0-02P	200	338,6	2965	95,8	0,89	7,2	2	2,2	1,935	1070
3ODP-315L1-02P	250	423,2	2965	95,8	0,89	7,2	1,6	2,2	2,177	1135
3ODP-315L2-02P	280	468,8	2970	95,8	0,9	7,3	1,6	2,2	2,503	1184
3ODP-315L3-02P	315	527,3	2970	95,8	0,9	7,3	1,6	2,2	2,629	1280
3ODP-315L4-02P	355	587,8	2965	95,8	0,91	7,3	1,6	2,2	2,997	1386
3ODP-315L5-02P	400	655,1	2970	95,8	0,92	7,3	1,6	2,2	2,997	1510
3ODP-315L6-02P	450	745,1	2970	95,8	0,91	7,3	1,6	2,2	3,145	1650
3ODP-315S0-04P	160	276,5	1480	96	0,87	7,1	2	2,2	3,744	1068
3ODP-315M0-04P	200	345,6	1480	96	0,87	7,2	2	2,2	4,481	1164
3ODP-315L1-04P	250	427,1	1480	96	0,88	7,2	1,8	2,2	4,861	1265
3ODP-315L2-04P	280	483,9	1480	96	0,87	7,2	1,8	2,2	5,126	1305
3ODP-315L3-04P	315	538,2	1480	96	0,88	7,2	1,8	2,2	6,09	1430
3ODP-315L4-04P	355	613,5	1480	96	0,87	7,2	1,8	2,2	6,211	1598
3ODP-315L5-04P	400	699,3	1480	96	0,86	7,2	1,8	2,2	6,221	1850
3ODP-315S0-06P	110	203,6	985	95,1	0,82	6,7	2	2	3,961	1025
3ODP-315M1-06P	132	243,6	985	95,4	0,82	6,8	2	2	4,804	1065
3ODP-315M2-06P	160	298,2	985	95,6	0,81	6,8	1,8	2	5,187	1183
3ODP-315L1-06P	180	331,4	985	95,6	0,82	6,9	1,8	2	5,727	1227
3ODP-315L2-06P	200	363,1	985	95,8	0,83	6,9	1,8	2	6,309	1265
3ODP-315L3-06P	225	408,4	985	95,8	0,83	6,9	1,8	2	7,022	1435
3ODP-315L4-06P	250	453,8	985	95,8	0,83	6,9	1,8	2	7,888	1471
3ODP-315L5-06P	280	508,3	985	95,8	0,83	6,9	1,8	2	8,654	1562

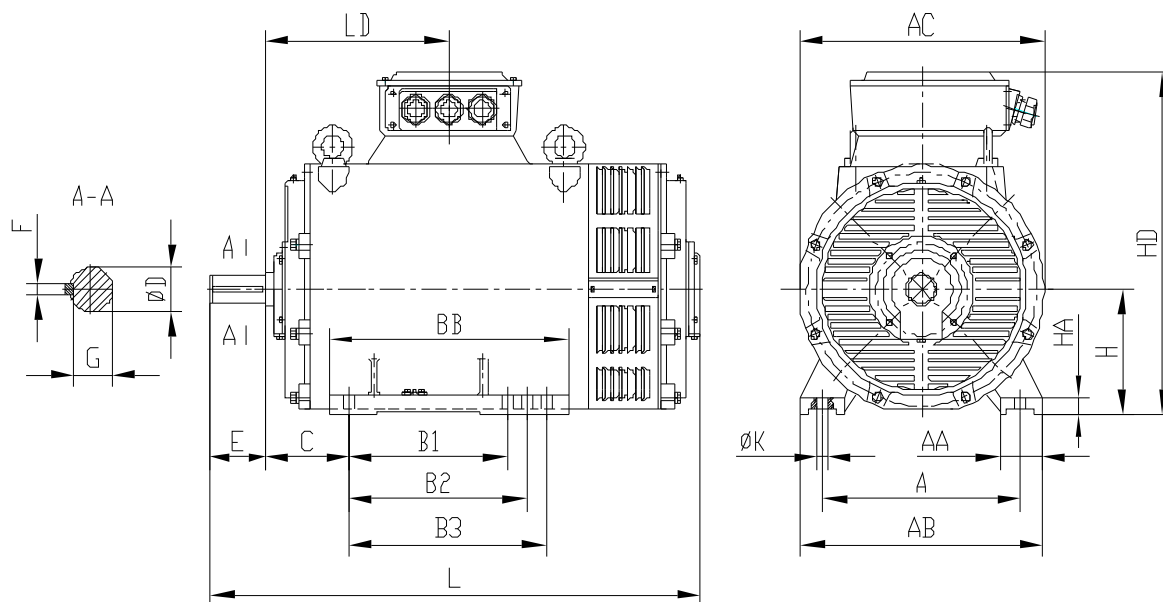


# Technical data 30DP

Motor type	Rated Power	Current	Rated Speed	Efficiency	Power Factor	Locked Current	Locked Toruque	Maximum Torque	Moment of inertia	Approx WT
	KW	A	r/min	$\eta$	$\cos \phi$	Rated current	Rated Torque	Rated Torque	(J) Kg-m <sup>2</sup>	Kg
30DP-355M1-02P	500	856,1	2975	95,8	0,88	7,3	1,6	2,2	4,5	1720
30DP-355M2-02P	560	958,8	2975	95,8	0,88	7,3	1,6	2,2	5	1860
30DP-355L1-02P	630	1078,7	2975	95,8	0,88	7,3	1,6	2,2	5,34	1955
30DP-355L2-02P	710	1215,6	2975	95,8	0,88	7,3	1,6	2,2	5,34	1980
30DP-355M1-04P	500	874,2	1485	96	0,86	7,2	1,8	2,2	9,17	1890
30DP-355M2-04P	560	979,1	1485	96	0,86	7,2	1,8	2,2	10,49	2045
30DP-355L1-04P	630	1101,4	1485	96	0,86	7,2	1,8	2,2	1,08	2195
30DP-355L2-04P	710	1241,3	1485	96	0,86	7,2	1,8	2,2	14,21	2230
30DP-355S0-06P	315	578,8	990	95,8	0,82	6,9	1,8	2	7,91	1720
30DP-355M1-06P	355	652,3	990	95,8	0,82	6,9	1,8	2	9,33	1830
30DP-355M2-06P	400	735	990	95,8	0,82	6,9	1,8	2	9,95	1950
30DP-355L1-06P	450	826,8	990	95,8	0,82	6,9	1,8	2	10,74	2025
30DP-355L2-06P	500	918,7	990	95,8	0,82	6,9	1,8	2	12,25	2175



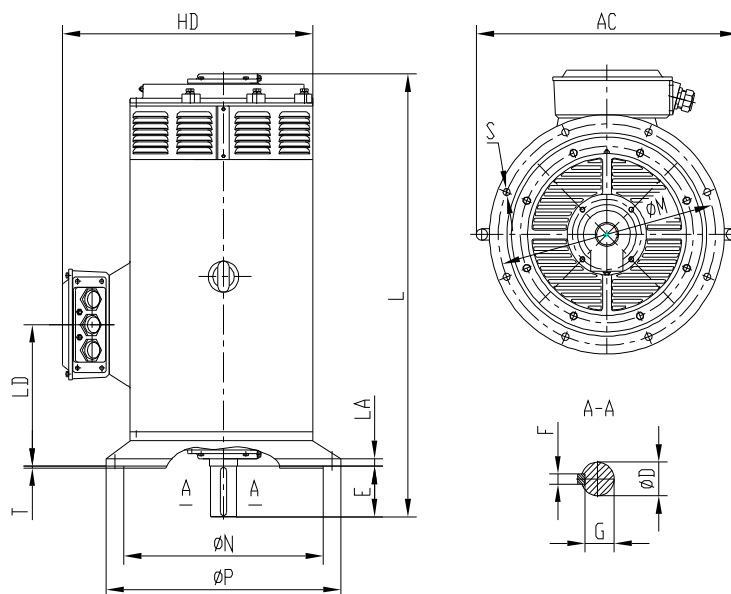
# Outline and installation dimensions (30DP) B3



Frame size	Pole	Installation dimension											Outline dimensions							
		A	B1	B2	B3	C	D	E	F	G	H	K	AB	AC	HD	BB	LD	HA	AA	L
250S,M	2	406	311	349	/	168	65	140	18	58	250	24	490	520	730	425	332	40	85	960
	4,6	406	311	349	/	168	75	140	20	67,5	250	24	490	520	730	425	332	40	85	960
280S,M	2	457	368	419	/	190	65	140	18	58	280	24	550	585	785	490	370	45	95	1056
	4,6	457	368	419	/	190	80	170	22	71	280	24	550	585	785	490	370	45	95	1086
315(A)	2	508	406	457	508	216	70	140	20	62,5	315	28	620	665	875	615	473	50	112	1260
	4,6	508	406	457	508	216	90	170	25	81	315	28	620	665	875	615	473	50	112	1295
315(B)	2	508	457	508	560	216	70	140	20	62,5	315	28	620	665	875	800	473	50	112	1455
	4,6	508	457	508	560	216	90	170	25	81	315	28	620	665	875	800	473	50	112	1490
355M,L	2	610	560	560	630	254	80	170	22	71	355	28	740	755	1060	850	530	50	120	1760
	4,6	610	560	560	630	254	100	210	28	90	355	28	740	755	1050	850	530	50	120	1800



# Outline and installations dimensions (30DP) V1

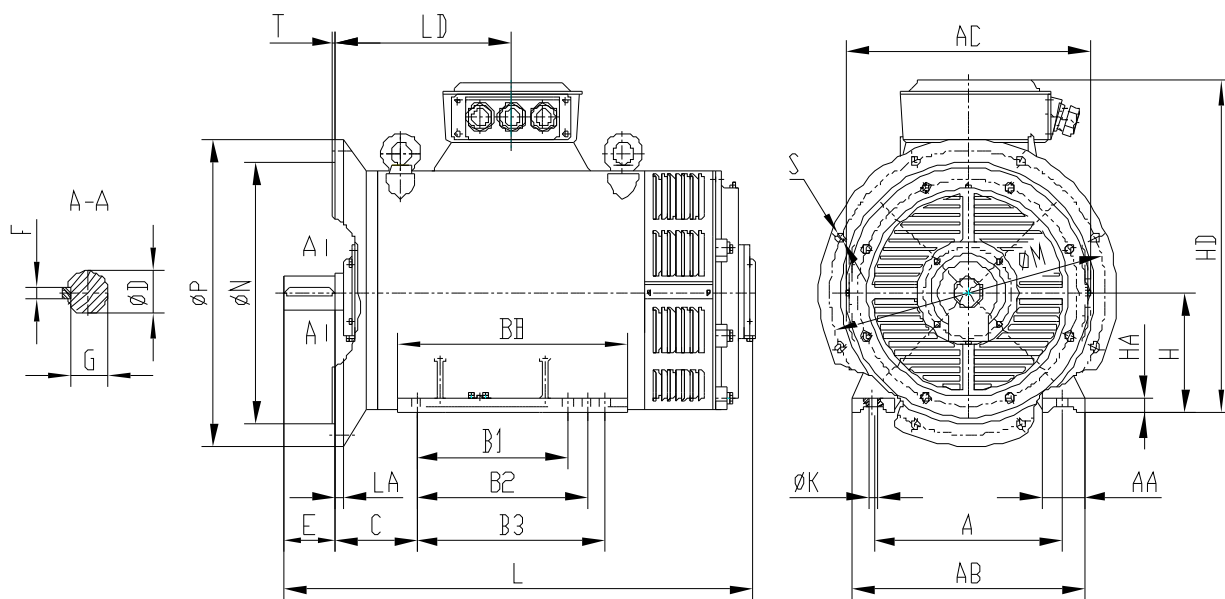


Frame size	Pole	Installation dimensions											Outline dimensions				
		D	E	F	G	H	M	N	P	R	S	T	AC	HD	LA	LD	L
250S,M	2	65	140	18	58	250	600	550	660	0	8- $\phi$ 24	6	665	725	22	332	960
	4,6	75	140	20	67,5	250	600	550	660	0	8- $\phi$ 24	6	665	725	22	332	960
280S,M	2	65	140	18	58	280	600	550	660	0	8- $\phi$ 24	6	740	780	22	370	1056
	4,6	80	170	22	71	280	600	550	660	0	8- $\phi$ 24	6	740	780	22	370	1086
315(A)	2	70	140	20	62,5	315	740	680	800	0	8- $\phi$ 24	6	900	875	25	473	1260
	4,6	90	170	25	81	315	740	680	800	0	8- $\phi$ 24	6	900	875	25	473	1295
315(B)	2	70	140	20	62,5	315	740	680	800	0	8- $\phi$ 24	6	900	875	25	473	1455
	4,6	90	170	25	81	315	740	680	800	0	8- $\phi$ 24	6	900	875	25	473	1490
355M,L	2	80	170	22	71	355	940	880	1000	0	8- $\phi$ 24	6	1050	1070	28	530	1760
	4,6	100	210	28	90	355	940	880	1000	0	8- $\phi$ 24	6	1050	1070	28	530	1800





# Installation dimensions (30DP) B35

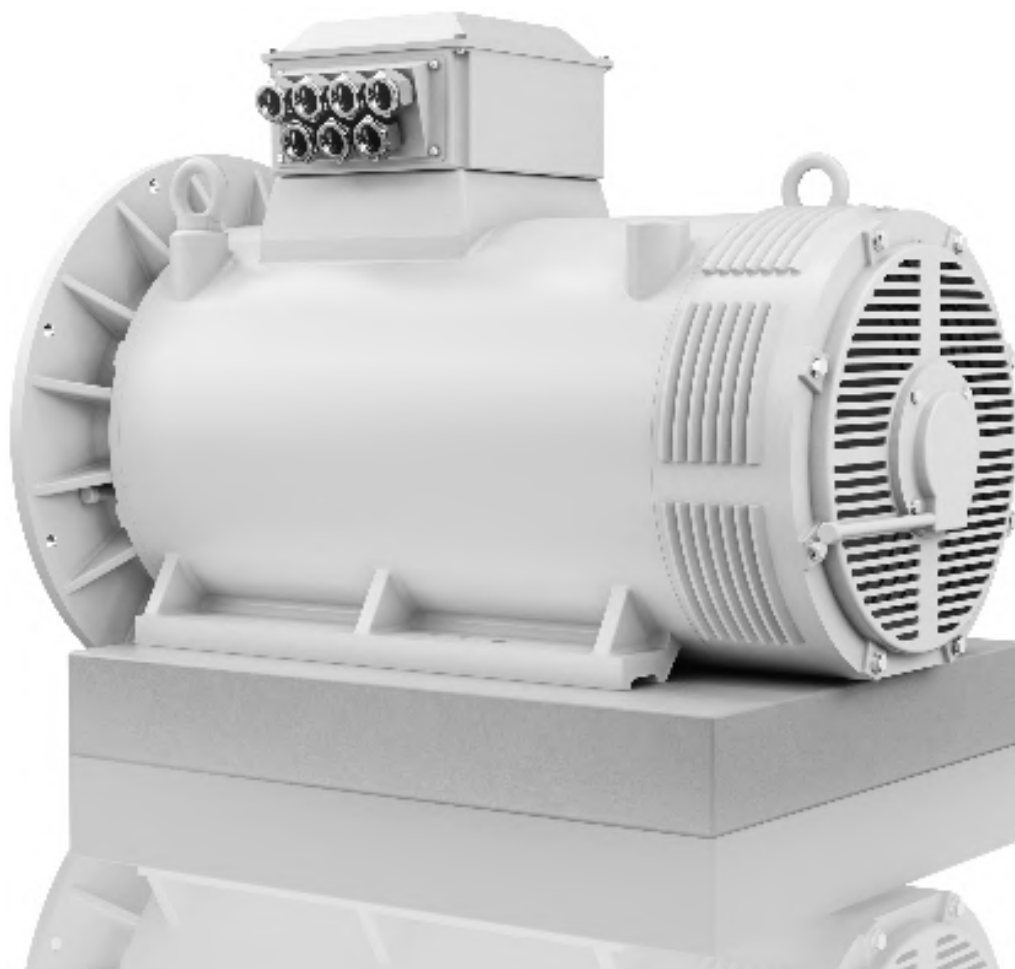


Installation dimensions

Frame size	Pole	Installation dimensions																	
		A	B1	B2	B3	C	D	E	F	G	H	K	M	N	P	R	S	T	
250S,M	2	406	311	349	/	168	65	140	18	58	250	24	600	550	660	0	8Ø24	6	
	4,6	406	311	349	/	168	75	140	20	67,5	250	24	600	550	660	0	8Ø24	6	
280S,M	2	457	368	419	/	190	65	140	18	58	280	24	600	550	660	0	8Ø24	6	
	4,6	457	368	419	/	190	80	170	22	71	280	24	600	550	660	0	8Ø24	6	
315(A)	2	508	406	457	508	216	70	140	20	62,5	315	28	740	680	800	0	8Ø24	6	
	4,6	508	406	457	508	216	90	170	25	81	315	28	740	680	800	0	8Ø24	6	
315(B)	2	508	457	508	560	216	70	140	20	62,5	315	28	740	680	800	0	8Ø24	6	
	4,6	508	457	508	560	216	90	170	25	81	315	28	740	680	800	0	8Ø24	6	
355M,L	2	610	500	560	630	254	80	140	22	71	355	28	940	880	1000	0	8Ø24	6	
	4,6	610	500	560	630	254	100	210	28	90	355	28	940	880	1000	0	8Ø24	6	



# Outline dimensions (3ODP) B35



Outline dimensions

Frame size	Pole	AB	AC	HD	BB	LD	HA	AA	L
250S,M	2	490	520	730	425	332	40	85	960
	4,6	490	520	730	425	332	40	85	960
280S,M	2	550	570	785	490	370	45	95	1056
	4,6	550	570	785	490	370	45	95	1086
315(A)	2	620	665	875	615	473	50	112	1260
	4,6	620	665	875	615	473	50	112	1295
315(B)	2	620	665	875	800	473	50	112	1455
	4,6	620	665	875	800	473	50	112	1490
355M,L	2	740	755	1060	850	530	50	120	1760
	4,6	740	755	1060	850	530	50	120	1800





## Address

VYBO ELECTRIC a. s. | tel: +421 944 105 361  
Radlinského 18 | e-mail: mv@vyboelectric.eu  
052 01 Spišská Nová Ves  
Slovenská republika

[www.vyboelectric.com](http://www.vyboelectric.com)



SOLUTIONS FOR INDUSTRY

BUREAU VERITAS  
Certification



**VYBO Electric a.s.**  
Radlinského 18, 052 01 Spišská Nová Ves  
Slovak Republic

Bureau Veritas Certification Holding SAS – UK Branch certifies that the Management System of the above organisation has been audited and found to be in accordance with the requirements of the management system standards detailed below

**ISO 14001: 2015**

Scope of certification

**MANUFACTURE AND SALE OF ELECTRIC MOTORS. SALES AND DEVELOPMENT OF VARIABLE FREQUENCY DRIVES.**

Original cycle start date: 18.05.2022  
Expiry date of previous cycle: N/A  
Certification Audit date: 31.03.2022  
Certification cycle start date: 18.05.2022

Subject to the continued satisfactory operation of the organization's Management System, this certificate expires on: 17.05.2025

Certificate No. SK-U22 055E Version: 1 Issue date: 18.05.2022

Certification body address: 5<sup>th</sup> Floor, 66 Prescot Street, London E1 8HQ, United Kingdom  
Local office: Plynárenská 7/B, BRATISLAVA 821 09, Slovak Republic



Further clarifications regarding the scope of this certificate and the applicability of the management system requirements may be obtained by consulting the organisation. To check this certificate validity please call: +421 2 5341 4165

Page 1 of 1



Bureau Veritas Certification

**Certificate**

Awarded to

**VYBO Electric a.s.**  
Radlinského 18, 052 01 Spišská Nová Ves  
Slovak Republic

BUREAU VERITAS CERTIFICATION (Z) s.r.o. certifies that the Management System of the above organisation has been assessed and found to be in accordance with the requirements of the management system standard detailed below

Standard  
**ISO 45001:2018**

Scope of supply

**MANUFACTURE AND SALE OF ELECTRIC MOTORS. SALES AND DEVELOPMENT OF VARIABLE FREQUENCY DRIVES.**

Original Approval Date: 18-05-2022  
Expiry date of previous cycle: N/A  
Certification Cycle Start Date: 18-05-2022  
Certification Cycle End Date: 17-05-2025  
Subject to the continued satisfactory operation of the organisation's Management System, this certificate is valid until: 17-05-2025

To check this certificate validity please call: +420 210 098 215

Further clarifications regarding the scope of this certificate and the applicability of the management system requirements may be obtained by consulting the organisation.

Version 1 Issue Date: 18-05-2022  
Certificate Number: CZF - 2200117

ISSUING OFFICE ADDRESS: BUREAU VERITAS CERTIFICATION (Z) s.r.o., Obchodní 1, 143 02 Praha 4, Czech Republic

11

ZERTIFIKAT ◆ CERTIFICATE ◆ 認證證書 ◆ CERTIFICADO ◆ CERTIFICAT



**CERTIFICATE**

**TÜV SÜD Slovakia s.r.o.**  
Certification Body for Management Systems  
Accredited by SNAS  
Certificate on accreditation No. Q-011  
certifies that



**VYBO Electric a.s.**  
Radlinského 18  
SK – 052 01 Spišská Nová Ves  
IČO: 45 537 143

has established and applies  
a Quality Management System for

**Manufacture and sale of electric motors.  
Sales and development of variable frequency drives.**

An audit was performed, Report No. 2264/40/22/Q/AS/C  
Proof has been furnished that the requirements  
according to

**STN EN ISO 9001:2016**

are fulfilled. The certificate is valid from 2022-04-14 until 2025-04-13  
Certificate Registration No. Q 2264-1

Bratislava, 2022-04-14

TÜV SÜD Slovakia s.r.o.  
Certification Body for Management Systems  
Member of Group TÜV SÜD  
Jaskóvka 6, 821 03 Bratislava

F-Q-019/26

Certificate SK22/3701

The management system of

**VYBO Electric a.s.**  
Radlinského 18  
052 01 Spišská Nová Ves, Slovakia

has been assessed and certified as meeting the requirements of

**EN ISO 50001:2018**

For the following activities

**Production & sales of electric motors.  
Sales & development of variable frequency drives.**

Further clarifications regarding the scope of this certificate and the applicability of EN ISO 50001:2018 requirements may be obtained by consulting the organisation.

This certificate is valid from 7 April 2022 until 6 April 2025  
and remains valid subject to satisfactory surveillance audits.  
Recertification audit due a minimum of 60 days  
before the expiration date.  
Issue 1. Certified with SGS since 7 April 2022

Authorised by

Ing. Róbert Bodnár  
Director

SGS Slovakia spol. s r. o.  
Kysucká 14, 040 11 Kežmarok, Slovakia  
t +421 55 783 61 11, f +421 55 783 61 20, www.sgs.com

Page 1 of 1



This document is issued by the Company subject to its General Conditions of Certification. Services accessible at [www.sgs.com](http://www.sgs.com) and conditions. Attention is drawn to the limitations of liability, indemnification and jurisdictional issues established therein. The authenticity of this document may be verified at <http://www.sgs.com/certificates/certificate-claims.htm>. Any unauthorized alteration, forgery or falsification of the content or appearance of this document is unlawful and offences may be prosecuted to the fullest extent of the law.